

·Embelle®



Deveni Lever Handle
5100 series

Deveni Lever Handle

5100 series

SPECIFICATIONS



Lever length	4.98"
Lever projection	2.52"
Lever clearance	1.79"
Rosette height	3.98"
Rosette width	2.48"
Rosette depth	.39"
Face plate	1" x 2- 1/4" radius
Concealed screws	No
Handing	Reversible for left and right hand use
Area	Interior
Doors	Wooden
ANSI	meets or exceeds ANSI A156.2

FINISHES

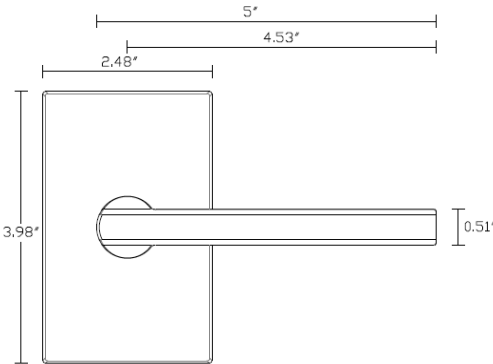
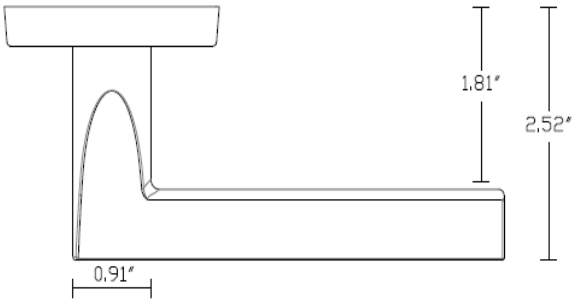
US4 Satin Brass (SB)

US19 Dull Black (DB)

US15 Satin Nickel (SN)

US26 Bright Chrome (BC)

Additional finishes available upon request



Privacy (R)
Bed & Bath



Passage (A)
Hall & Closet



Dummy (U)
Non-Functional



Entry (N)
Entrance

Embelle®