

# ·Embelle®



**EMBER** Knob Handle  
K200 series

# EMBER Knob Handle

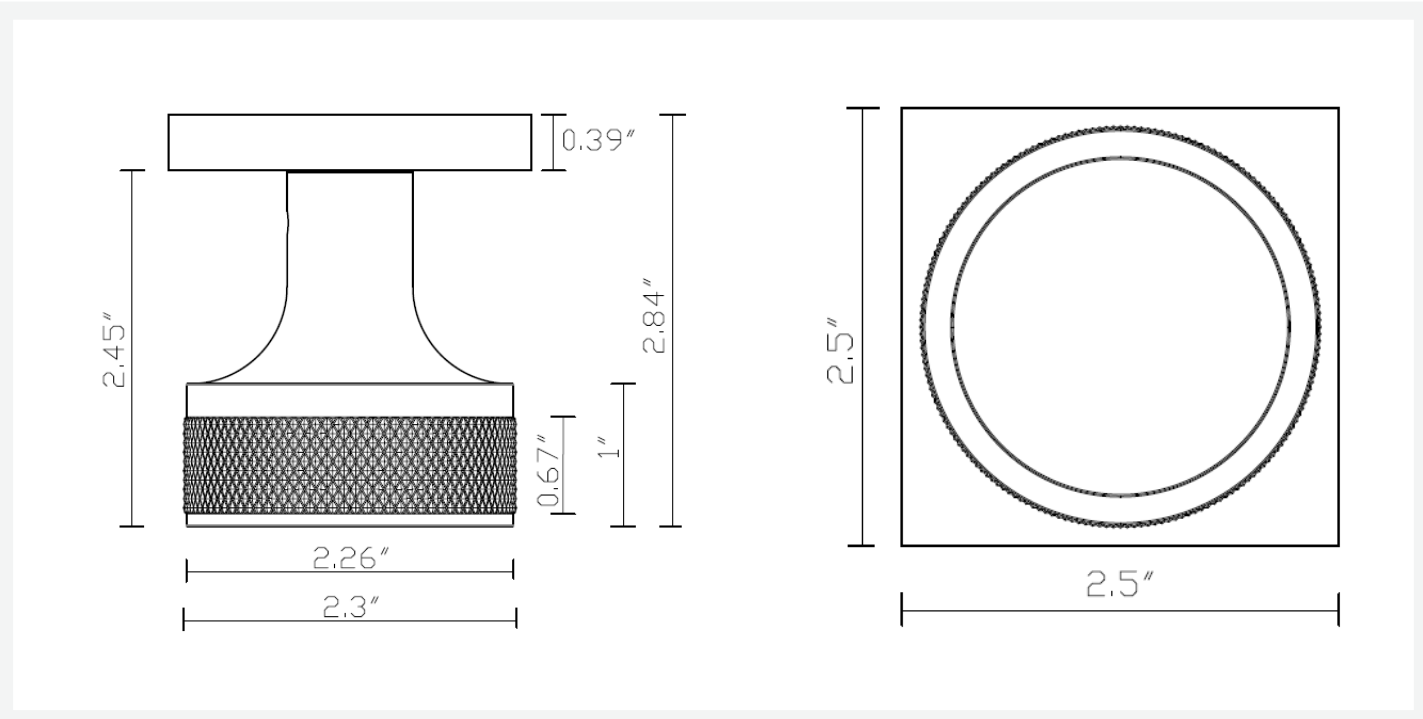
## SPECIFICATIONS



Lever length	2.45"
Lever projection	2.84"
Lever clearance	1.45"
Rosette height	2.50"
Rosette width	2.50"
Rosette depth	.39"
Face plate	1" x 2-1/4" radius
Concealed screws	Dummies are concealed
Handing	Reversible for left and right hand use
Area	Interior
Doors	Wooden. Metal door option meets or exceeds ANSI A156.2
ANSI	

<b>FINISHES</b>	US15 Satin Nickel	<b>ROSETTE</b>
US4 Satin Brass	US26 Polished Chrome	Square (Q)
US19 Matte Black	US15 Satin Nickel	Round (D)
		Rectangle (G)

**Additional finishes available upon request**



Privacy (R)  
Bed & Bath



Passage (A)  
Hall & Closet



Dummy (U)  
Non-Functional



Entry (N)  
Entrance